



- Rim Locks
- High Security
 - Security Deadlock
 - Double Security
 - Security Range
 - Heavy Duty Deadlock
 - Traditional Security

Rim Locks

Yale®



Rim Locks

Rim Locks Index

- *Introduction* RL2
- *What Type of Door ?* RL3
- *What is Backset ?* RL3
- *Features and Functions* RL3
- *Photo Gallery* RL4
- *Range Table* RL5
- *High Security* RL6
- *Security Deadlock* RL6
- *Double Security* RL7
- *Security Range* RL7 - 9
- *Heavy Duty Deadlock* RL10
- *Traditional Security* RL11
- *Replacement Cylinder* RL12
- *Key Choice* RL13
- *Lever Rim Locks* RL14

Note: We have made every effort to ensure that at the time of going to print all information shown in this catalogue is correct. However, in our efforts to continually improve our products and offer only the highest levels of security and quality we reserve the right to make alterations to the product specifications shown in this catalogue. All dimensions provided within this catalogue are approximate and for guidance only.

Introduction

Yale offer a comprehensive range of cylinder rim locks which are ideal for both architectural application and residential use.

The range includes a high security variant, kitemarked to BS3621, for use on external doors, as well as standard variants for internal doors or when used with a Yale mortice deadlock on external doors.



Yale is accredited with and meets the requirements of BS EN ISO 9001: 1994.

Keying Groups

Throughout the catalogue you will see a column headed.



The information shown under this heading can help you identify which products can be Keyed Alike or Masterkeyed.

The products that can be keyed to work with other products are given a group code.

KA - means the product can be **Keyed Alike** with more of the same product.

MK - means the product can be **Masterkeyed** with more of the same product.

A Group Letter (eg **A**) means the product can be **Keyed Alike** or **Masterkeyed** with more of the same product **and** with other products listed in the same group.

For the complete range of products and their keying groups, see the chart in the introduction section.

How to Specify

Yale have developed a series of icons to enable the process of product specification to be simplified.

From today you can specifically detail your requirements for a product, therefore ensuring that it includes particular security features.

Example: If you require a rimlock that has hardened protection against drill attack, look for the Drill Resistant icon (number 2) in the range table.

Yale, Simplifying the Specification Process.

Standards & Approvals



BS3621

Products endorsed with the Kitemark have passed a strict testing procedure under the control of the British Standards Institution.



The Master Locksmiths Association provides guidelines covering minimum security levels for domestic properties.



The Association of British Insurers provides minimum security recommendations for external doors and windows.



The National House Building Council offers general guidance on security for dwellings, flats and maisonettes.

Keys

At least 2 keys are supplied as standard, however see the price list for any variations.

Security Features

- 1  **Protected Section**
Products are available as an option on a patented key section.
- 2  **Drill Resistant**
Hardened protection against drill attack.
- 3  **Saw Resistant**
Hardened protection against saw attack.
- 4  **Force Resistant**
Built in strength against force attack.
- 5  **Pick Resistant**
Built in protection to resist picking.
- 6  **Torque Resistant**
Built in strength against torque attack.
- 7  **Tamper Resistant**
Built in protection against Tampering.
- 8  **Corrosion Resistant**
Products conform to appropriate anti-corrosion requirements.
- 9  **Fire Resistant**
Products conform to appropriate fire test requirements.
- 10  **Escape**
Products for use on an escape door.
- 11  **Key Control**
The products can be included in a key control system.
- 12  **Guarantee**
Products are guaranteed for a period of time.

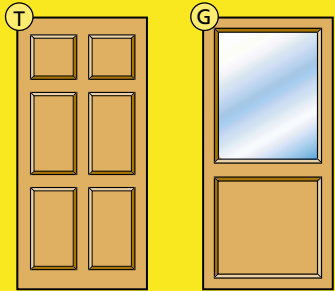


Rim Locks



What Type of Door ?

- A comprehensive range of locks for both exterior and interior glass panelled or solid timber doors.



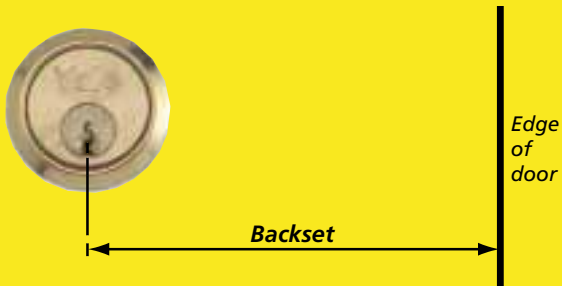
Door Types

- T** Solid Timber
- G** Glass Panelled

- Variants available for outward opening doors.
- Locks available to suit doors between 38mm and 57mm thick.

What is Backset?

- This is the measurement from the edge of the door to the centre of the keyhole.

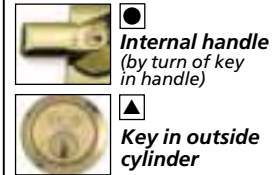


- Locks are commonly supplied with either a 40mm or 60mm backset.
- Locks with a 40mm backset are normally used where there is restricted space, such as on a glass panelled door.

Features and Functions

Lockable Handle =

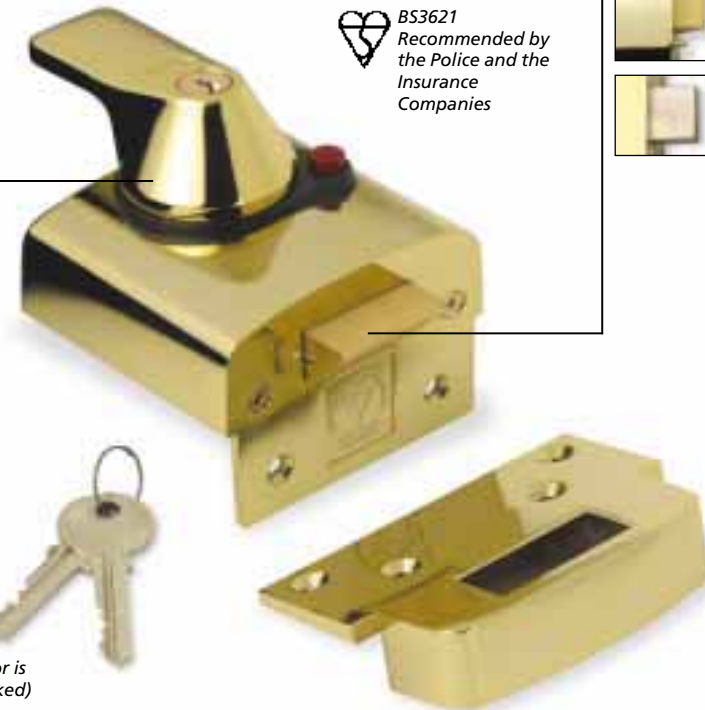
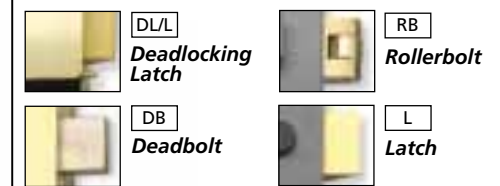
Prevents someone reaching in and opening the door



BS3621
Recommended by the Police and the Insurance Companies

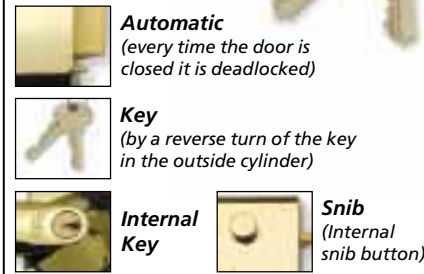
Locking Mechanism =

the means by which the door is held closed

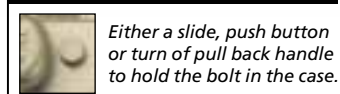


Deadlocking =

Locking the bolt so that it cannot be forced back.



Bolt Hold Back



PS **Protected Section**
Available on a patented key section.

Drill Resistant
Hardened Steel Inserts in the outside cylinder.

Saw Resistant
Hardened steel bolt, plates or hardened rollers.

Force Resistant
Meets the force requirements of BS3621.

Pick Resistant
Locking mechanism incorporates pick resistant device(s).

Torque Resistant
Side lugs restricting twisting of cylinder.

Tamper Resistant
Concealed fixings when door is closed.

Key Control
Can be Masterkeyed or Keyed Alike (KA).

G **Guarantee**
Guarantee period applicable when used with original Yale Keys and maintenance instructions followed.

*All locks are supplied complete with at least two keys as standard.

Finishes: Brasslux Grey Black White Sprayed Bronze Antique Bronze Enamelled Nickel Bronze

Ideal for Use with: Mortice Deadlocks & Access Control Systems



Rim Locks



High Security



Yale PBS1 Page RL7



Yale PBS2 Page RL7

Security Deadlock



Yale 65 Page RL7



Yale 66 Page RL7

Double Security



Yale No.1 Page RL7



Yale No.2 Page RL7

Security



Yale 81 Page RL7



Yale 82 Page RL7



Yale 84 • 85 Page RL7



Yale 88 • 89 Page RL7



Yale 91 Page RL7



Yale 93 Page RL7

Heavy Duty Deadlocks



Yale 112 Page RL7



Yale 112 1/4 Page RL7



Yale 197 Page RL7



Yale 197 1/4 Page RL7

Traditional



Yale 77 • 99Z Page RL7



Yale 706 • 723 Page RL7



Yale High Security

PBS1 Standard	●	●	●	●	●	●	●	10	DL, L	●	●	Auto	Auto	45-57mm	60mm	T, GP	●	●
PBS2 Narrow	●	●	●	●	●	●	●	10	DL, L	●	●	Auto	Auto	45-57mm	40mm	T, GP	●	●

Yale Security Deadlock

66 Standard	○	●	●	●	●	●	●	A,B,C	10	DB	▲	●	Auto	Auto	32-57mm	60mm	T, GP	●	●
65 Narrow	○	●	●	●	●	●	●	A,B,C	10	DB	▲	●	Auto	Auto	32-57mm	60mm	T, GP	●	●

Yale Double Security

No.1 Standard	○	●	●	●	●	●	●	A,B,C	10	DL/L	●	●	Auto	Auto	32-57mm	60mm	T, GP	●	●	White
No.2 Narrow	○	●	●	●	●	●	●	A,B,C	10	DL/L	●	●	Auto	Auto	32-57mm	60mm	T, GP	●	●	White

Yale Security

81 Rollerbolt Standard	○	●	●	●	●	●	●	A,B,C	10	DL, R	●	●	Turn	Key	32-57mm	60mm	T	●	●
82 Deadbolt Standard	○	●	●	●	●	●	●	A,B,C	10	DB	●	●	Turn	Key	32-57mm	60mm	T	●	●
84 Narrow	○	●	●	●	●	●	●	A,B,C	10	L	●	●	Snib	●	32-57mm	60mm	T	●	●
85 Narrow	○	●	●	●	●	●	●	A,B,C	10	L	▲	●	Snib	Key	32-57mm	60mm	T, GP	●	●
88 Standard	○	●	●	●	●	●	●	A,B,C	10	L	●	●	Snib	●	32-57mm	60mm	T	●	●
89 Standard	○	●	●	●	●	●	●	A,B,C	10	L	▲	●	Snib	Key	32-57mm	60mm	T, GP	●	●
91 Standard	○	●	●	●	●	●	●	A,B,C	10	L	●	●	●	●	32-57mm	60mm	T	●	●
93 Checklock Standard	○	●	●	●	●	●	●	A,B,C	10	L	●	●	Snib	●	32-57mm	60mm	T	●	●

Yale Heavy Duty

112 Deadbolt	○	●	●	●	●	●	●	A,B,C	10	DB	●	●	Turn	Key	32-57mm	60mm	T	●	●	Sprayed or Antique Bronze
112¼ Deadbolt	○	●	●	●	●	●	●	A,B,C	10	DB	●	●	Key	Key	32-57mm	60mm	T, GP	●	●	Sprayed or Antique Bronze
197 Shootbolt	○	●	●	●	●	●	●	A,B,C	10	S	●	●	Turn	Key	32-57mm	60mm	T	●	●	Sprayed or Antique Bronze
197¼ Shootbolt	○	●	●	●	●	●	●	A,B,C	10	S	●	●	Key	Key	32-57mm	60mm	T, GP	●	●	Sprayed or Antique Bronze

Yale Traditional

77 Standard	○	●	●	●	●	●	●	A,B,C	10	L	●	●	Snib	●	32-57mm	60mm	T	●	●	ENB
706 Narrow	○	●	●	●	●	●	●	A,B,C	10	L	●	●	Snib	●	32-57mm	60mm	T	●	●	ENB
992 Standard	○	●	●	●	●	●	●	A,B,C	10	L	●	●	Snib	●	32-57mm	60mm	T	●	●	Black
723 Narrow	○	●	●	●	●	●	●	A,B,C	10	L	●	●	Snib	Key	32-57mm	60mm	T, GP	●	●	ENB

Key: ○ = Optional Locking Mechanism - L = Latchbolt, DL/L = Deadlocking Latch, DB = Deadbolt, R = Rollerbolt, S = Shootbolt Lockable Handle - ● From Inside, ▲ From Outside only Type of Door - T = Timber, GP = Glass Panelled



Rim Locks

High Security

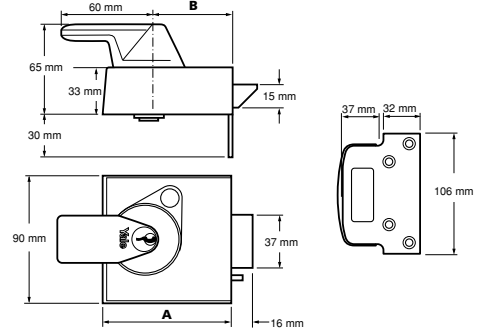
Yale PBS1 • PBS2

- Kitemarked to BS3621. Recommended by the Insurance companies and the police.
- Key operation from the outside. Key and lever handle operation from inside.
- Latchbolt automatically deadlocks on closing the door.
- Keyblank number, BS1KB.



BS3621:1980

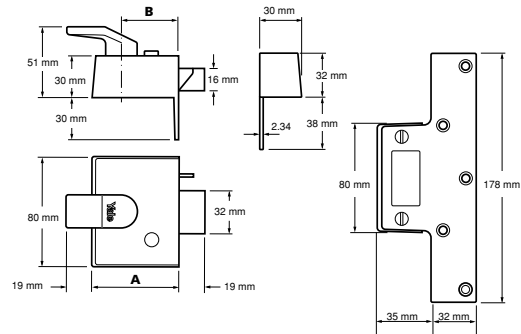
Model	A	B
PBS1	89mm	60mm
PBS2	69mm	40mm



Security Deadlock

Yale 65 • 66

- Large square deadbolt automatically thrown on closing the door.
- Key operation from the outside. Lever handle operation from inside.
- Keyblank number, 8.



Model	A	B
65	62mm	40mm
66	82mm	60mm

	PBS1	PBS2	65	66
Security Features				

	Protected Section			o	o
	Drill Resistant	•	•		
	Saw Resistant	•	•	•	•
	Force Resistant	•	•	•	•
	Pick Resistant	•	•	•	•
	Torque Resistant	•	•	•	•
	Tamper Resistant	•	•	•	•
	Key Control			A,B,C	A,B,C
	Guarantee	10	10	10	10

	PBS1	PBS2	65	66
Functions				

Locking Mechanism	DL/L	DL/L	DB	DB
Lockable Handle	•	•	▲	▲
Bolt Hold Back	•	•	•	•
Deadlocking Internal	Auto	Auto	Auto	Auto
Deadlocking External	Auto	Auto	Auto	Auto

	PBS1	PBS2	65	66
Door Specification				

Door Thickness	45-57mm	45-57mm	32-57mm	32-57mm
Backset	60mm	40mm	40mm	60mm
Type of Door	T, GP	T, GP	T, GP	T, GP

	PBS1	PBS2	65	66
Finishes				

Brasslux	•	•	•	•
Grey	•	•	•	•
Other				



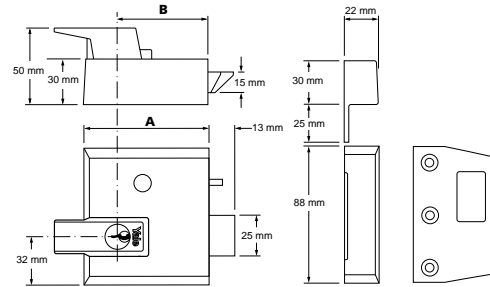
Rim Locks

Double Security

Yale No.1 • No.2

- Latchbolt automatically deadlocks on closing the door.
- Key operation from the outside. Key lockable lever handle operation from inside.
- Keyblank number, 8.

Model	A	B
No.1	92mm	60mm
No.2	64mm	40mm

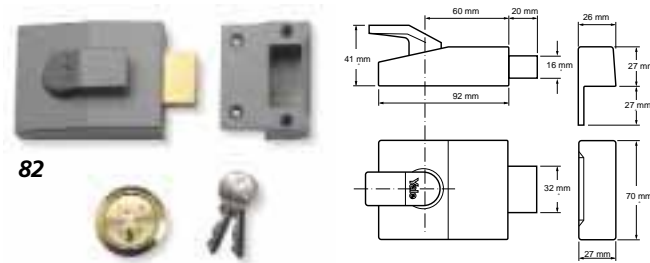
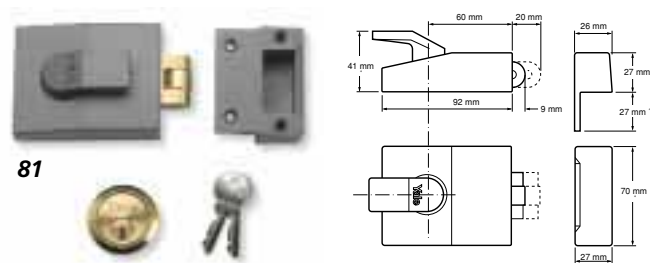


Security

Yale 81 **Yale** 82

- Rollerbolt operation for a push/pull action. Ideal for flat entrance doors, prevents accidental lock-out.
- Key operation from the outside. Turn handle operation from inside.
- Keyblank number, 8.

- Deadbolt operation with no intermediate latching action.
- Key operation from the outside. Turn handle operation from inside.
- Keyblank number, 8.



	No.1	No.2	81	82
Security Features				
Protected Section			o	o
Drill Resistant				
Saw Resistant				
Force Resistant				
Pick Resistant	•	•	•	•
Torque Resistant	•	•	•	•
Tamper Resistant	•	•	•	•
Key Control	A,B,C	A,B,C	A,B,C	A,B,C
Guarantee	10	10	10	10
Functions				
Locking Mechanism	DL/L	DL/L	R	D
Lockable Handle	•	•		
Bolt Hold Back	•	•		
Deadlocking Internal	Auto	Auto	Turn	Key
Deadlocking External	Auto	Auto	Key	Key
Door Specification				
Door Thickness	32-57mm	32-57mm	32-57mm	32-57mm
Backset	60mm	40mm	60mm	60mm
Type of Door	T, GP	T, GP	T	T
Finishes				
Brasslux	•	•		
Grey	•	•	•	•
Other	White	White		

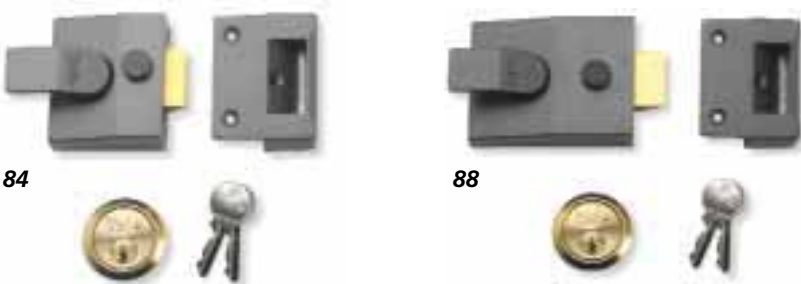


Rim Locks

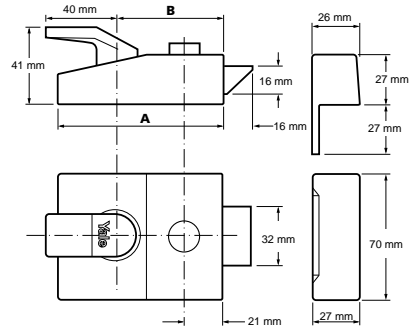
Security

Yale 84 • 88

- Standard Security lock with deadlocking by snib.
- Key operation from the outside. Lever handle operation from inside.
- Keyblank number, 8.



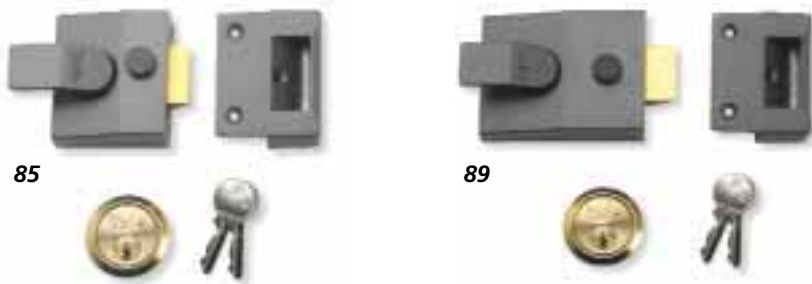
Model	A	B
84	62mm	40mm
88	92mm	60mm



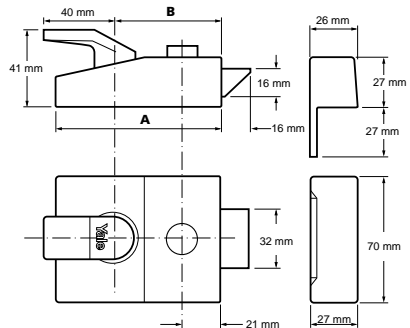
Security

Yale 85 • 89

- Security lock with manual deadlocking by reverse turn of key in outside cylinder.
- Key operation from the outside. Lever handle operation from inside.
- Keyblank number, 8.



Model	A	B
85	62mm	40mm
89	92mm	60mm



	84	88	85	89
Security Features				
Protected Section	o	o	o	o
Drill Resistant				
Saw Resistant				
Force Resistant				
Pick Resistant	•	•	•	•
Torque Resistant	•	•	•	•
Tamper Resistant	•	•	•	•
Key Control	A,B,C	A,B,C	A,B,C	A,B,C
Guarantee	10	10	10	10
Functions				
Locking Mechanism	L	L	L	L
Lockable Handle			▲	▲
Bolt Hold Back	•	•	•	•
Deadlocking Internal	Snib	Snib	Snib	Snib
Deadlocking External			Key	Key
Door Specification				
Door Thickness	32-57mm	32-57mm	32-57mm	32-57mm
Backset	40mm	60mm	40mm	60mm
Type of Door	T	T	T, GP	T, GP
Finishes				
Brasslux			•	•
Grey	•	•	•	•
Other				

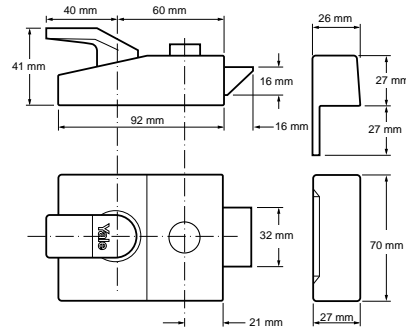


Rim Locks

Security

Yale 91

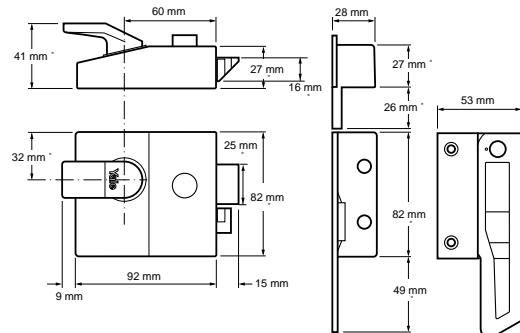
- Non-deadlocking, ideal for applications in hotels and institutions. The slide button will retain the bolt in the withdrawn position only.
- Key operation from the outside. Lever handle operation from inside.
- Keyblank number, 8.



Security

Yale 93

- Door lock and restraint in one. Ideal for sheltered housing where the comfort of additional built-in security is required.
- Key operation from the outside. Lever handle operation from inside.
- Keyblank number, 8.



	91	93	
Security Features			
Protected Section	o	o	
Drill Resistant			
Saw Resistant			
Force Resistant			
Pick Resistant	•	•	
Torque Resistant	•	•	
Tamper Resistant	•	•	
Key Control	A,B,C	A,B,C	
Guarantee	10	10	
Functions			
Locking Mechanism	L	L	
Lockable Handle			
Bolt Hold Back	•	•	
Deadlocking Internal			
Deadlocking External	Snib		
Door Specification			
Door Thickness	32-57mm	32-57mm	
Backset	60mm	60mm	
Type of Door	T	T	
Case Finish			
Brasslux		•	
Grey	•	•	
Other			

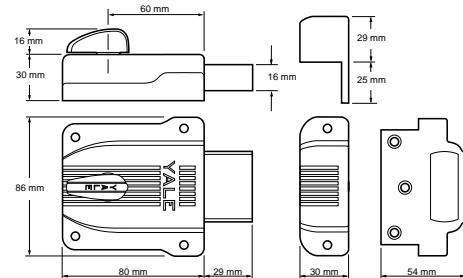
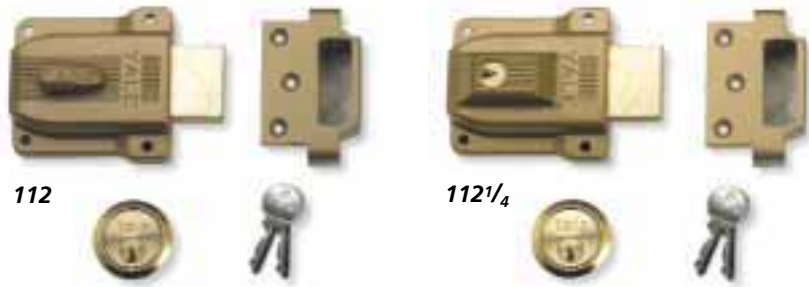


Rim Locks

Heavy Duty Deadlock

Yale 112 • 112^{1/4}

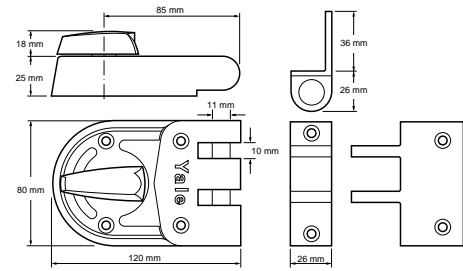
- Large square 29mm throw deadbolt with deadlocking.
- 112: Key operation from outside - Lever thumbturn from inside.
- 112^{1/4}: Key operation from outside - key operation from inside.
- Keyblank number, 8.



Heavy Duty Shootbolt

Yale 197 • 197^{1/4}

- Shoot deadbolt mechanism.
- 197: Key operation from outside - Lever thumbturn from inside.
- 197^{1/4}: Key operation from outside - key operation from inside.
- Keyblank number, 8.



	112	112 ^{1/4}	197	197 ^{1/4}
Security Features				
Protected Section	o	o	o	o
Drill Resistant				
Saw Resistant				
Force Resistant				
Pick Resistant	•	•	•	•
Torque Resistant	•	•	•	•
Tamper Resistant	•	•	•	•
Key Control	A,B,C	A,B,C	A,B,C	A,B,C
Guarantee	10	10	10	10
Functions				
Locking Mechanism	DB	DB	S	S
Lockable Handle				
Bolt Hold Back				
Deadlocking Internal	Turn	Key	Turn	Key
Deadlocking External	Key	Key	Key	Key
Door Specification				
Door Thickness	32-57mm	32-57mm	32-57mm	32-57mm
Backset	60mm	60mm	85mm	85mm
Type of Door	T	T, GP	T	T, GP
Finishes				
Brasslux				
Grey				
Other	Sprayed or Antique Bronze			



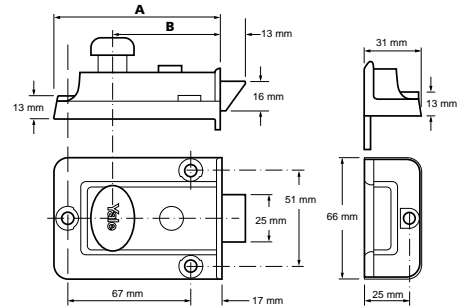
Rim Locks

Traditional

Yale 77 • 99Z • 706

- Classic styling with deadlocking by snib.
- Key operation from the outside. Knob handle operation from inside.
- Keyblank number, 8.

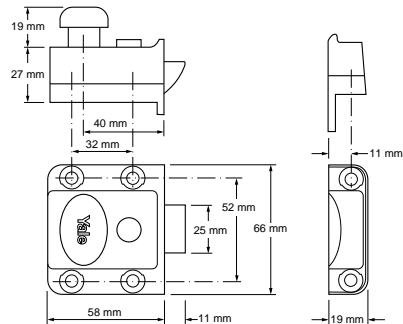
Model	A	B
77/99Z	92mm	60mm
706	58mm	40mm



Traditional

Yale 723

- Classic styling with manual deadlocking by reverse turn of key in outside cylinder.
- Key operation from the outside. Lever knob handle operation from inside.
- Keyblank number, 8.



	77	99Z	706	723
Security Features				
Protected Section	o	o	o	o
Drill Resistant				
Saw Resistant				
Force Resistant				
Pick Resistant	•	•	•	•
Torque Resistant	•	•	•	•
Tamper Resistant	•	•	•	•
Key Control	A,B,C	A,B,C	A,B,C	A,B,C
Guarantee	10	10	10	10
Functions				
Locking Mechanism	L	L	L	L
Lockable Handle				▲
Bolt Hold Back	•	•	•	•
Deadlocking Internal	Snib	Snib	Snib	Snib
Deadlocking External				Key
Door Specification				
Door Thickness	32-57mm	32-57mm	32-57mm	32-57mm
Backset	60mm	60mm	40mm	60mm
Type of Door	T	T	T	T, GP
Finishes				
Brasslux	•			
Grey				
Other	ENB	Black	ENB	ENB



Rim Locks



Replacement Cylinder

Yale 1109

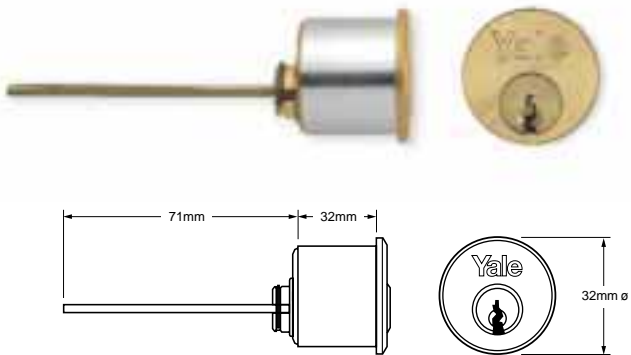
- Spare or replacement pin tumbler rim cylinder.
- Available as 5 pin standard, 6 pin for master keying or patented key system.
- Keyblank number, 5 pin = No.8, 6 pin = No.11 = 6 pin standard, not MK.



Replacement Cylinder

Yale PK1109 or HS1109

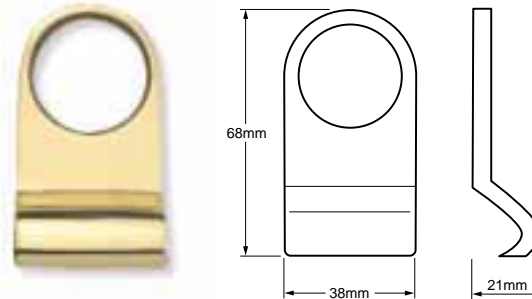
- Spare or replacement pin tumbler rim cylinder.
- PK1109 = Pro-Key Patented Cylinder System.
- HS1109 = Side Bar Patented Cylinder System.



Cylinder Pull

Yale P110 • 54110

- Provides an easy means of closing the door from the outside.
- Suitable for use with Yale Cylinder Rim Locks (except BS1, BS2).
- Available in brass or satin aluminium.



1109 PK1109 HS1109

Security Features				
	Protected Section		•	•
	Drill Resistant	○	•	○
	Saw Resistant			
	Force Resistant			
	Pick Resistant	•	•	•
	Torque Resistant			
	Tamper Resistant	n/a	n/a	n/a
	Key Control	B,C	A	B
	Guarantee	10	10	10
Door Specification				
Door Thickness		32-57mm	32-57mm	32-57mm
Finishes				
Polished Brass		•	•	•
Satin Chrome		•	•	•
Other				

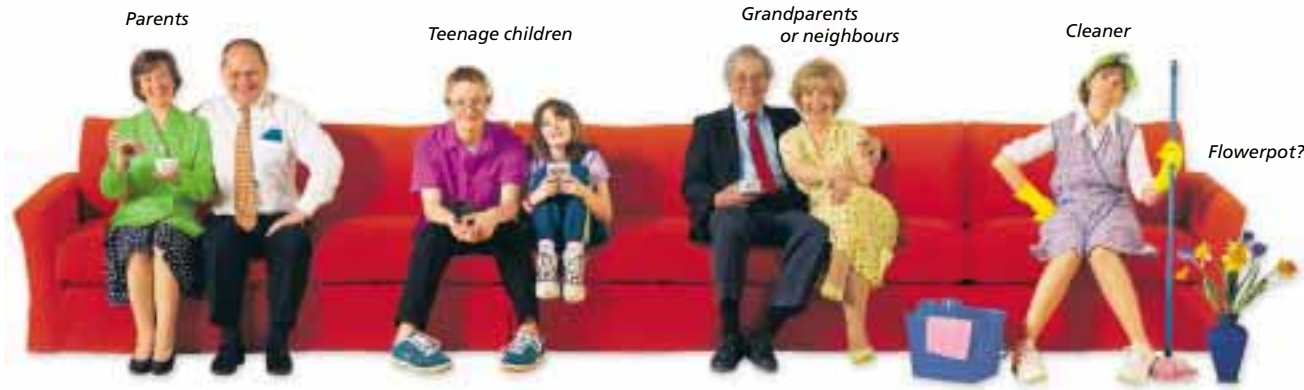
1109 PK1109 HS1109				
For use with:				
66 ✓	84 ✓	91 ✓	197 ✓	99Z ✓
65 ✓	85 ✓	93 ✓	197 1/4 ✓	78 ✓
81 ✓	88 ✓	112 ✓	77 ✓	723 ✓
82 ✓	89 ✓	112 1/4 ✓	706 ✓	



Key Choice

Yale

Buy a new lock & get as many keys as you like!



- Have you ever lost a key and wondered who picked it up?
- Have you ever lent someone your keys and not had them returned?
- Have you recently moved home?
- Isn't it time you considered changing your locks?
- Yale Key Choice cylinders can be used with your existing Yale lock or a new one and gives you new security.
- The safest way to ensure your home is secure.
- Guarantees genuine Yale keys.

STEP 1

Your **KEY** Choice



Simply choose the Yale Key Choice front door cylinder with either 2, 4, 6 or 8 keys

STEP 2

Your **LOCK CASE** Choice

Now select either a Security Door Lock or Traditional Door Lock in the finish you require.

it's your choice. **KEY Choice**

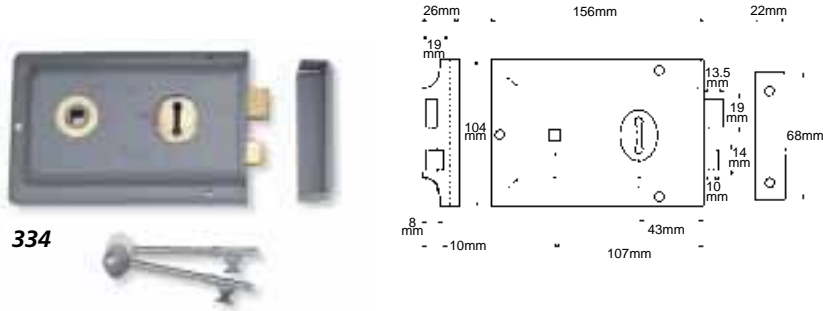


Rim Locks

Lever Rim

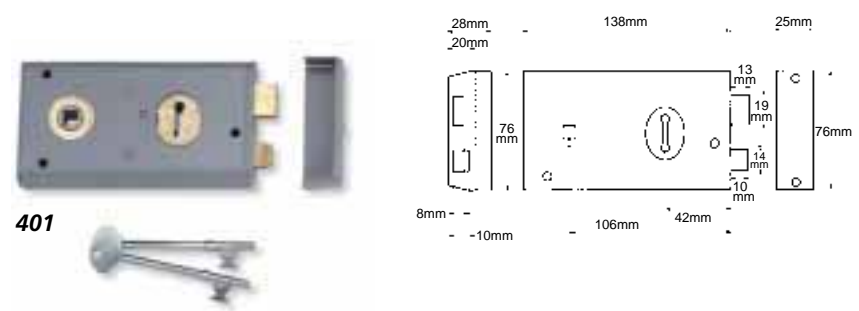
Yale 334

- Operation by key and handle from either side of the door.
- Key operates the deadbolt, handle operates the latchbolt.
- Also available in brasslux finish.
- Keyblank number, 310.



Yale 401

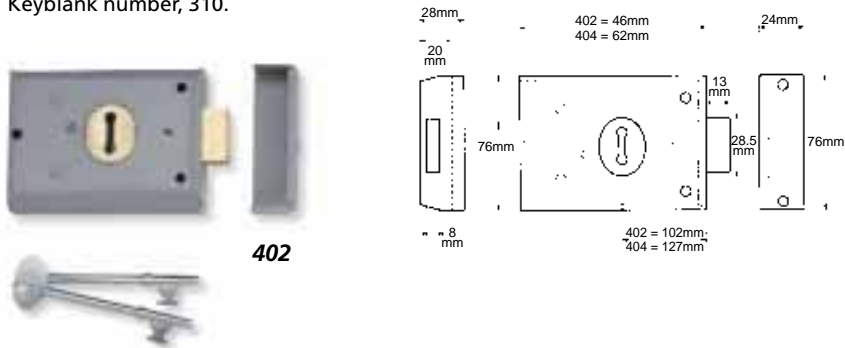
- Operation by key and handle from either side of the door.
- Key operates the deadbolt, handle operates the latchbolt.
- Keyblank number, 310.



Lever Rim

Yale 402 • 404

- Operation by key from either side of the door.
- No latch mechanism.
- Key to deadlock.
- Keyblank number, 310.



Yale 420

- Operation by key and handle from either side of the door.
- Key operates the deadbolt, handle operates the latchbolt.
- Keyblank number, 310.

