

3000 series



3700 SC Front

Features

- **NEW** design, makes recoding simple & error-free
- 60mm Latch
(50mm and 70mm available)
- Optional Holdback
(3600 and 3700)
- 50,000 Cycle Test
- Non-Handed
- 5 Year Guarantee
- Over 8000 Combinations
- Keyed alike option (3600 & 3700)
- Yale keyway (3600 & 3700)
- DDA knob design for easy grip

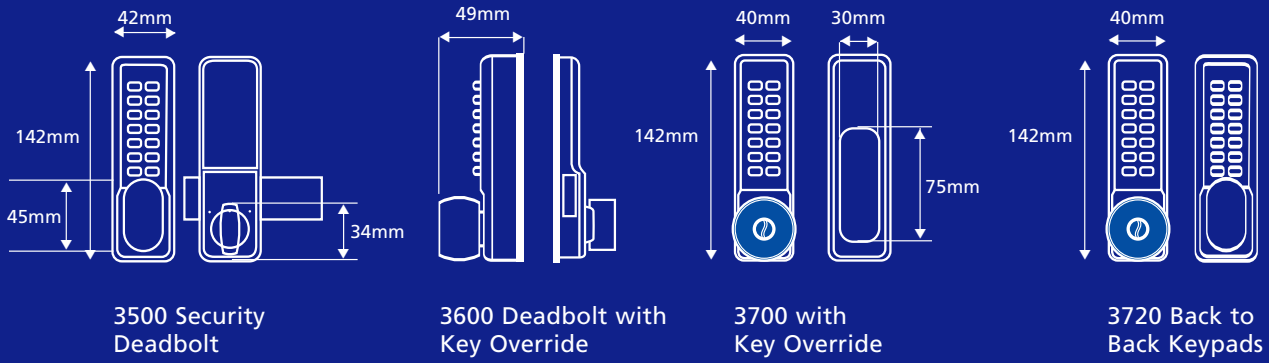


Satin Chrome



Polished Brass





3700 SC Back

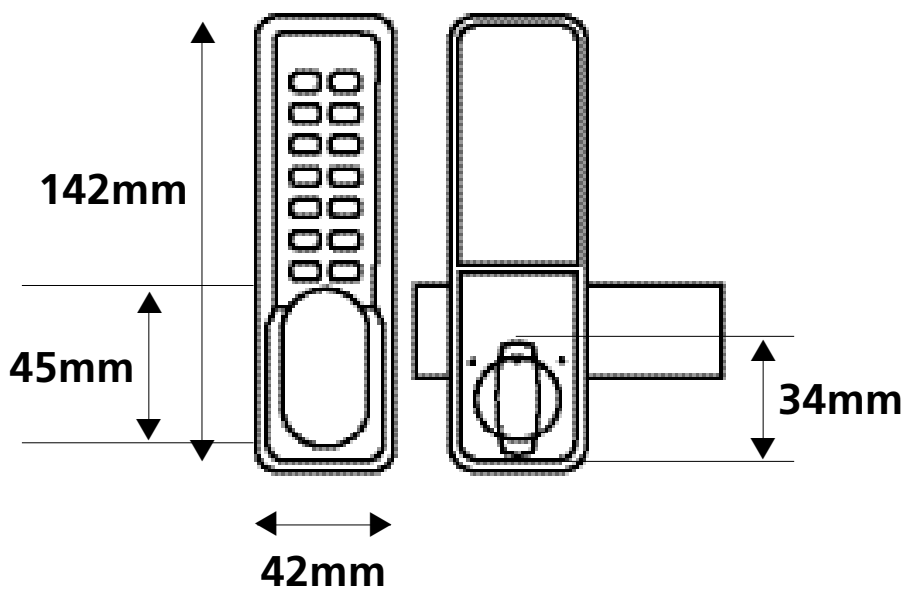


3500 SC Back

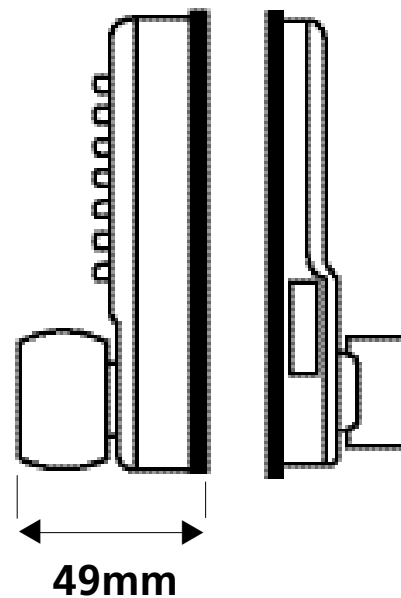


3500 SC Front

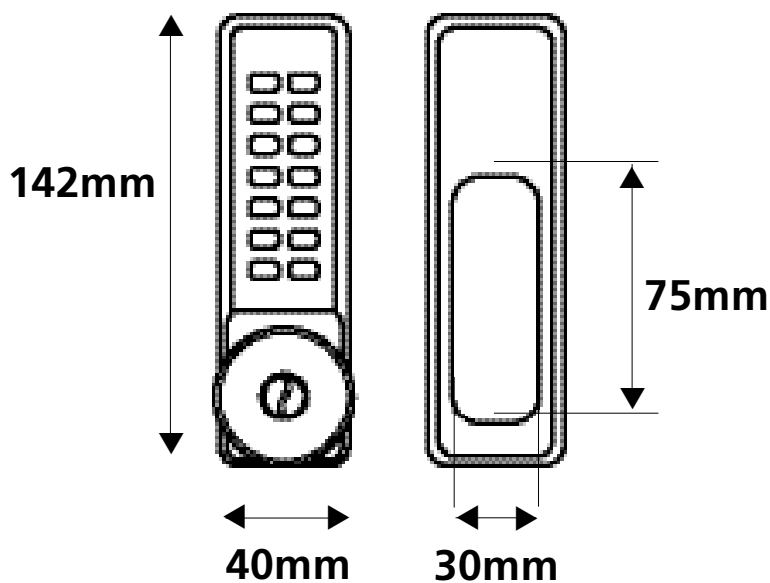
The 3000 series use the same pushbutton key pads as the 2000, but offers more model variants to suit a wider range of applications. They include; key override models (BL3600 and BL3700) enabling the code to be overridden by the key; rim fixing deadbolts (BL3500 and BL3600) for greater security, proving that Borg provides a model suitable for virtually every application.



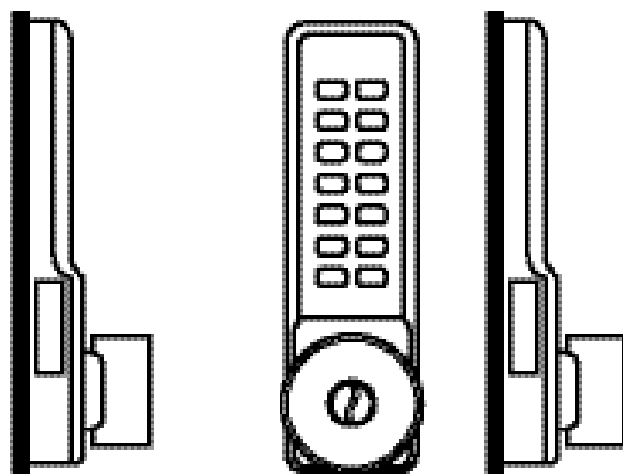
**3500 Security
Deadbolt**



**3600 Deadbolt with
Key Override**



**3700 with
Key Override**



**3800 with
Hook Bolt**

**3900 with Hook
Bolt with Key
Override**

