

CodeStar



2500 SC Front



Super Stainless

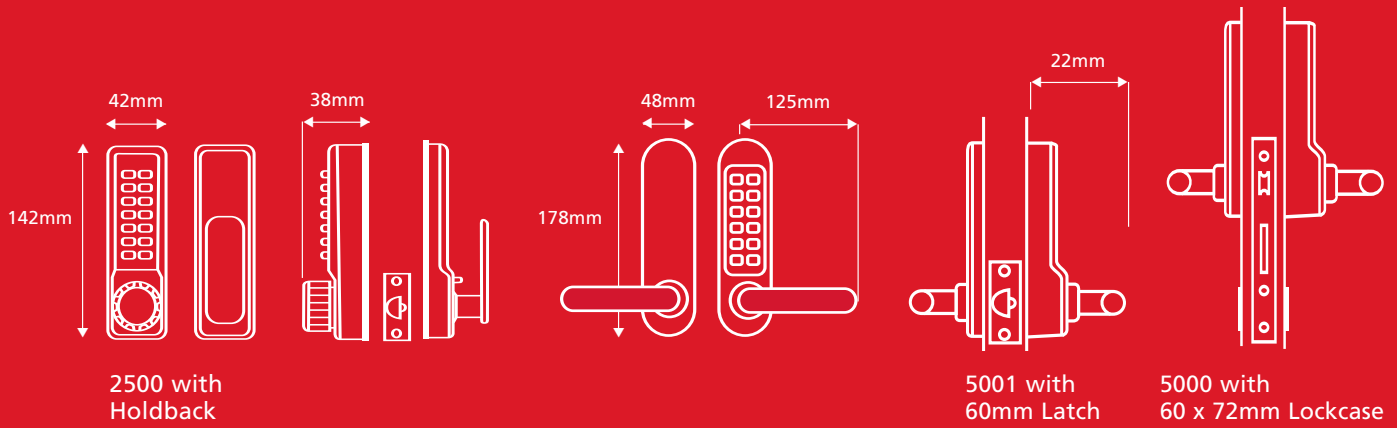


Super Brass

Features

- ★ **NEW** design, makes recoding simple & error-free
- ★ 100,000 cycle test
- ★ Lifetime guarantee
- ★ Super Stainless and Super Brass finishes
- ★ PVD coated
- ★ Reversible
- ★ Early clearplate
- ★ Free passage option
- ★ Standard fixings suit doors up to 54mm (XL fixings available)
- ★ Weatherproof

Borglocks
controlling access



2500 SS Back



2200 Open Back



5000 SS Back

Our premium range of mechanical pushbutton coded locks. All engineered and manufactured to the highest standard, using premium grade components, many of which are made from stainless steel for greater longevity.

The range is finished to the highest standards using the latest technology enabling Borg to offer 'lifetime guarantees' against faulty components or workmanship.

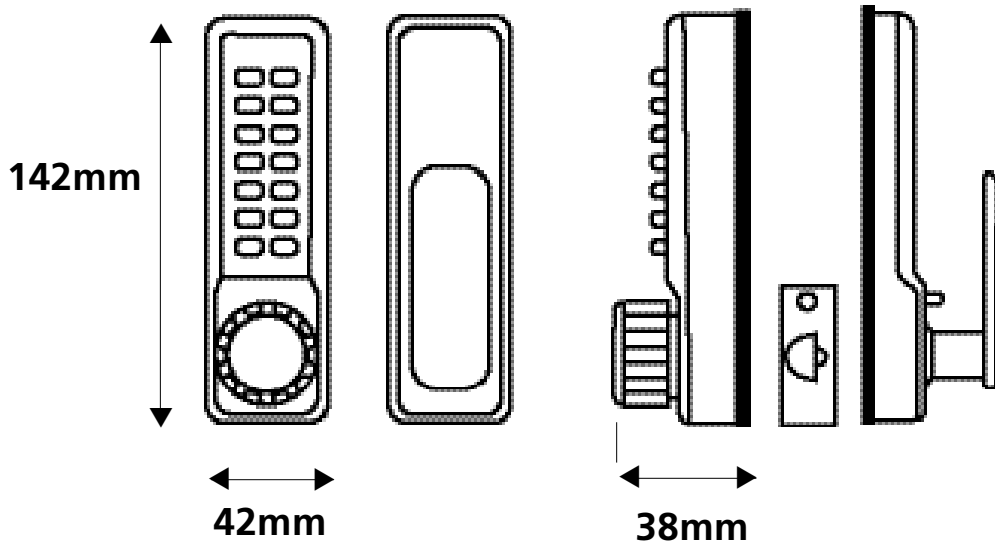
Each model has been cycle tested to more than 100,000 operations, further guaranteeing their durability and strength.



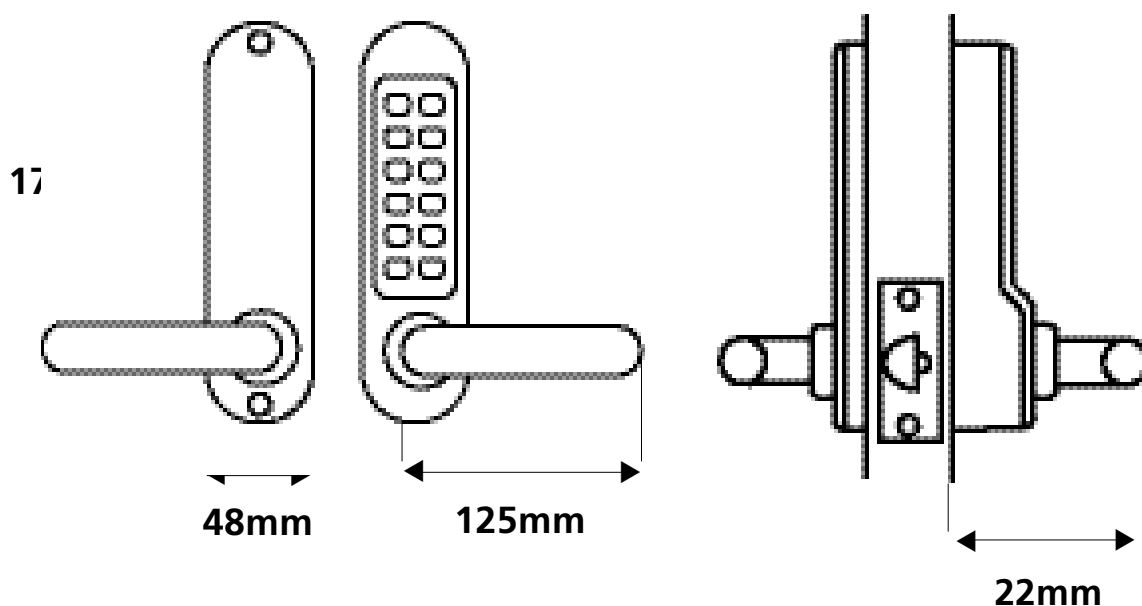
+44 (0)1277 210 644

Fax: +44 (0)1277 210 643

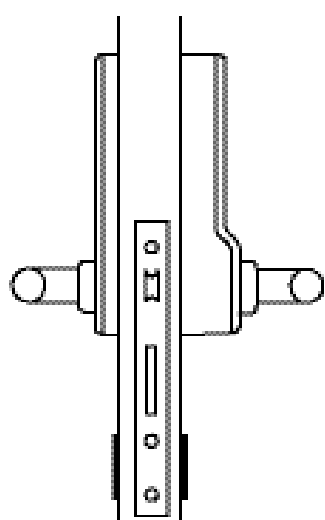
www.borglocks.com



**2500 with
Holdback**



**5001 with
60mm Latch**



**5000 with
60 x 72mm Lockcase**