



The 3000 Series of Intercoms & Videointercoms

The 3000 series of intercoms and videointercoms are the result of research into new materials and designs.

Main features are a 3 level volume control of the electronic call tone and detachable cord between the telephone handset and the base unit.

The 3000 series of intercoms and videointercoms are compatible with the 900 series (which will remain in production) and can be installed on the same system; the main difference between the 3000 and 900 series is that the 3000 series "call" is electronic as opposed to an AC buzzer on the 900 series.

The 3000 series intercoms and videointercoms are available with additional features which include:

- Privacy of call.
- Privacy of speech.
- Door open signalling.



"Privacy of call" allows the user to enable or disable incoming calls. "Privacy of call" can be timed (automatic) or untimed (manual) and can include LED indication.

- Timed privacy will automatically switch off after the programmed time elapses.
- Untimed privacy must be switched "on" and "off" manually by the user.

"Privacy of speech" disables the telephone from the system until called. This feature has two advantages:

- Only the user called can communicate with the visitor.
- The lock release can only be operated by the user who has been called.

On the Sentry range, VX2000, VX2200 and VX2300 systems, privacy of speech is standard on all intercoms and videointercoms.

"Door opening signalling" will give the user visual (green) LED indication of whether the door is open or closed:

- LED ON door open.
- LED OFF door closed.

To use the door open feature, an additional wire is required from a door contact to the intercom.

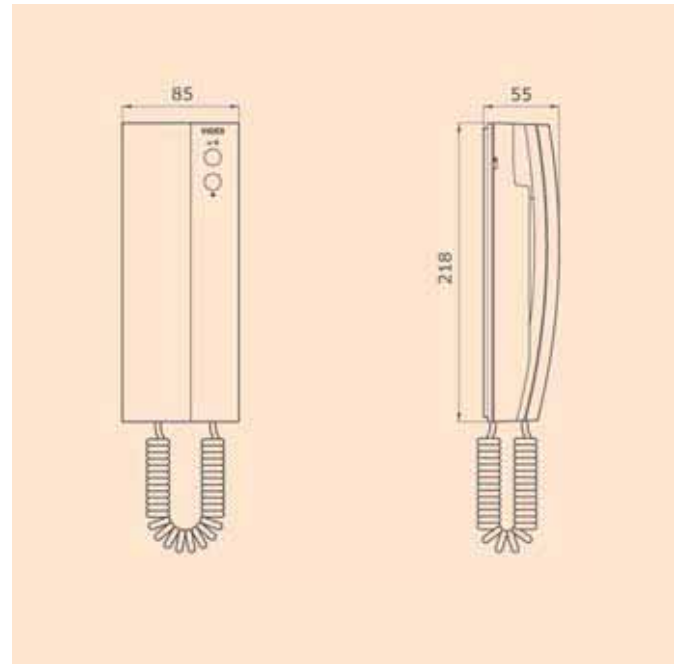


3000 Series Intercoms

THE 3000 SERIES INTERCOMS ARE MANUFACTURED IN WHITE ABS SHOCKPROOF PLASTIC.

All intercoms in this series have a "door open" button and "service" button (exceptions to this are the Smart line intercoms which can have either a single "door open" button or both "door open" and "service" button).

For compatibility with older systems, Videx have manufactured several models with AC Buzzer (12Vac) in addition to the standard electronic call tone.





ART.	INTERCOMS FOR STANDARD 4+1 SYSTEMS
3101	Intercom with electronic call tone (3 level volume) and 12Vac buzzer, "door open" and "service" push buttons.
3102	As Art.3101 plus privacy ON-OFF switch (Mute call).
3111	Intercom with electronic call tone (3 level volume), "door open" and "service" push buttons.
3112	As Art.3111 plus privacy ON-OFF switch.
3113	As Art.3112 plus "privacy on" LED.
3117	Intercom with electronic call tone (3 level volume), door open button and 4 service buttons connected to common terminal. It also has a local call tone input for use in intercommunicating systems.

ART.	WITH PRIVACY OF SPEECH
3121	Intercom with electronic call tone (3 level volume), "door open" and "service" push buttons, incorporating privacy of speech and lock opening.
3123	As Art.3121 plus privacy ON-OFF switch (mute call) & "privacy on" LED.
3125	Intercom with electronic call tone (3 level volume), "door open" push button, electronic privacy ON-OFF switch, "privacy on" LED and "door open" LED.
3126	As Art. 3125 but with timed "privacy".

ART.	INTERCOM FOR TWO WIRE KIT (ESK)
3151	Intercom with electronic call tone (3 level volume), "door open" and "service" push buttons.

ART.	INTERCOMS FOR VX2200 DIGITAL SYSTEM
3161	Low cost intelligent intercom with electronic call tone (3 level volume), "door open" and "service" push buttons. It has a reduced number of features than the 3171 (see VX2200 section).
3162	As Art.3161 plus "privacy ON-OFF" switch.
3171	Intelligent Intercom with electronic call tone (3 level volume), "door open" and "service" push buttons.
3172	As Art.3171 plus "privacy ON-OFF" switch.
3176	Intelligent Intercom with electronic call tone (3 level volume), "door open" push button, "timed privacy ON-OFF" push button, "door open" LED and "privacy on" LED.

ART.	INTERCOMS FOR VX2300 DIGITAL SYSTEM
3181	Intelligent intercom with electronic call tone (3 level volume), "door open" LED, "timed privacy" + LED, "service" and "door open" push buttons.

Smart Line Intercoms



Art. 3001
Art. 3011
Art. 3021

Art. 3002
Art. 3012
Art. 3022





ART.	SMART LINE
3001	Intercom with buzzer call, electronic call tone (3 level volume) plus "door open" push button.
3011	As Art.3001 but with only electronic call tone (3 level volume).
3021	As Art.3001 but with only buzzer call.
3002	Intercom with buzzer call, electronic call tone (3 level volume) plus "door open" and "service" push buttons.
3012	As Art.3002 but with only electronic call tone.
3022	As Art.3002 but with only buzzer call.

NOTE: Wall mount only

3000 Series Videointercoms

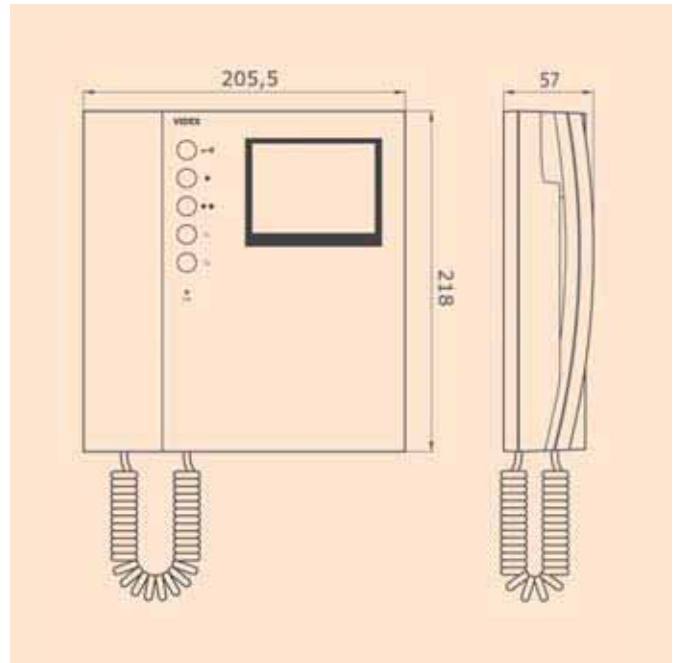
3000 SERIES VIDEOINTERCOMS ARE MANUFACTURED FROM WHITE ABS SHOCKPROOF PLASTIC

All videophones incorporate 5 push buttons:

- "Door Open" - ;
- "Camera Recall" -  (or "service" push button depending on videointercom model);
- "service" push button - ;
- "service" push button - S1;
- "service" push button - S2; (or "privacy on-off" push button depending on videointercom model - .


Some models allow the service buttons to be configured as "camera recall" push buttons (allowing the user to have more than one "camera recall" push button on systems with more than one video outdoor station) or as standard "service" push buttons connected to a common terminal.

All monochrome videointercoms have a 4" flat screen monitor with CRT, colour videointercoms employ high efficiency 3.5" TFT LCD monitors.



To order the different version of videointercoms use the following prefixes:

- Art.33xx for monochrome (B&W)
- Art.34xx for colour
- Art.35xx for monochrome (B&W) with memory

ART.	VIDEOINTERCOMS FOR COAX AND NON-COAX VIDEO TRADITIONAL SYSTEMS
3312	Videophone with 4" flat screen B&W monitor, with "door open" and "camera recall" push buttons plus 3 service buttons and an "ON" LED. Controls: 3 levels of call tone volume (both main and local), contrast and brightness. Service push buttons  , S1, S2 may be configured as "camera recall" push buttons.
3412	As Art.3312 with 3.5" Colour TFT LCD monitor
3512	As Art.3312 with memory board.

ART.	ADDITIONAL VIDEOINTERCOMS FOR VIDEO KITS NON COAX (VK6 AND SMVK)
3351	Videophone using 4" flat screen B&W monitor, with "door open" and "camera recall" push buttons plus 3 service buttons and an "ON" LED. Controls: 3 levels of call tone volume (both main and local), contrast and brightness.
3451	As Art.3351 with 3.5" Colour TFT LCD monitor
3551	As Art.3351 with memory board.



ART. ADDITIONAL VIDEOINTERCOMS FOR VIDEO KITS (VK4K)

- 3356 Videophone with 4" B&W flat screen monitor, "door open" and "camera recall" push buttons, "Privacy on" button, 2 "service" push buttons, "door open" and "privacy on" LEDs and electronic call tone with adjustable volume on 3 levels.

- 3456 As Art.3356 with 3.5" Colour TFT LCD monitor

ART. VIDEOINTERCOMS FOR VX2300 DIGITAL SYSTEM

- 3381 Videophone with 4" flat screen B&W monitor with local "door bell" input, intercommunication facility between devices, "timed privacy", with red LED indication. A green door open LED (requires two additional wires). 5 push buttons "lock", "camera recall", "timed privacy" on/off, and service trigger buttons. Electronic call tone with adjustable volume on 3 levels.

- 3481 As Art.3381 with 3.5" Colour TFT LCD monitor.

ART. VIDEOINTERCOMS FOR VX2200 DIGITAL SYSTEM WITH COAX AND NON COAX VIDEO

- 3371 Videophone, for coax and non coax video systems, using a 4" flat screen B&W monitor, with "door open" and "camera recall" push buttons plus 3 service buttons and an "ON" LED. Controls: 3 levels of call tone volume (both main and local), contrast and brightness.

- 3471 As Art.3371 with 3.5" colour TFT LCD monitor.
- 3376 As Art.3371 with 2 service push buttons plus electronic "ON-OFF" timed privacy push button, "Door Open" and "Privacy On" leds

- 3476 As Art.3376 with 3.5" Colour TFT LCD monitor.

ART. MOUNTING PLATE AND PCB CONNECTIONS

- 3980 One for each 3000 series videophone.

Videointercoms with memory board (B&W monitor only)

Videx is always looking to enhance the security level of its systems. For this reason Videx have added optional video memory functions to its already extensive range of videophones.

Videointercoms with memory board facility can store up to 32 video frames with relevant date and time stamp. The storage can be triggered automatically or manually: when in automatic mode (activated by pressing the relevant push button and indicated by an LED) the videophone stores a still frame on each external call (this enables the user, whilst away from home, to have a record of the visitors who have called all with a date and time stamp.). For manual storage the videophone stores a still frame by pressing the relevant push button. In addition to the normal 5 push buttons, these videophones include a further 6 small push buttons for controlling the memory board. They enable: viewing of stored images; deleting stored images or to alter memory board date and time. When the 32 memory locations are full the next frame will over write the first frame and so on. (First-In-First-Out). To order videointercoms with the memory board facility, simply use the prefix Art.35xx.